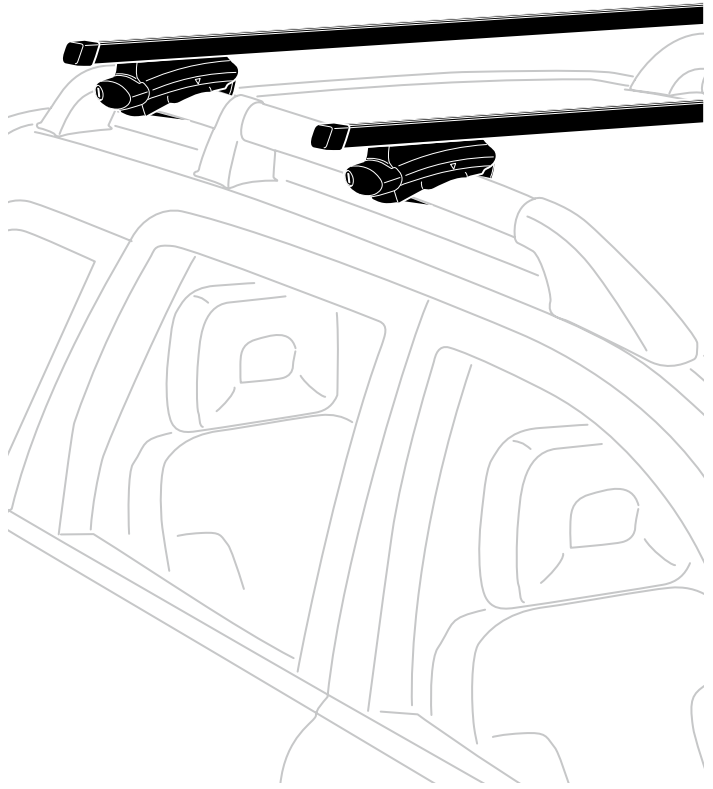


instructions

Rapid System 775

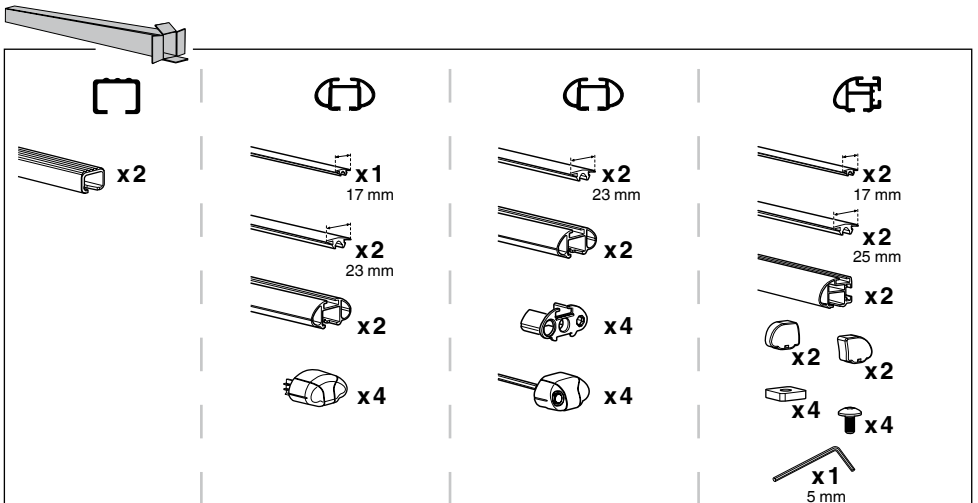
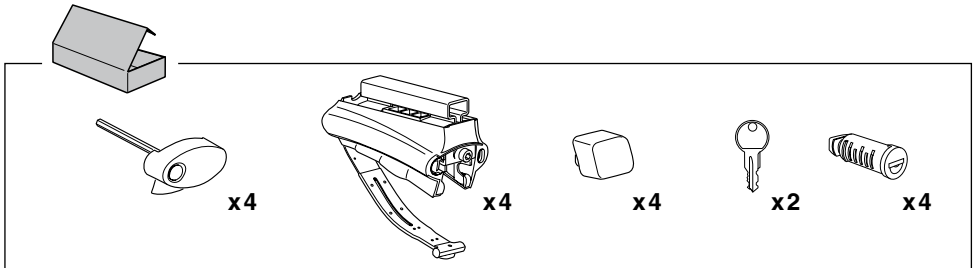
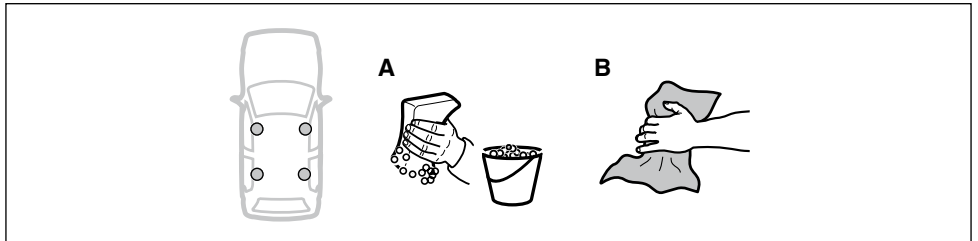
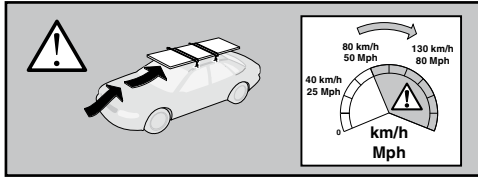
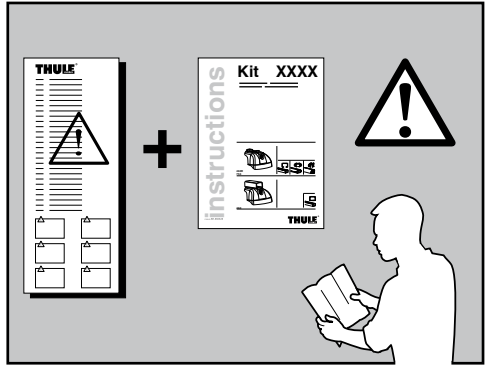
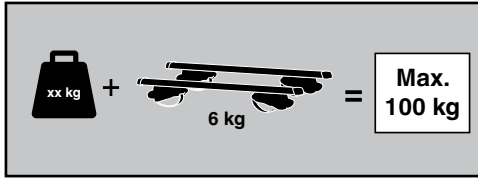


775000

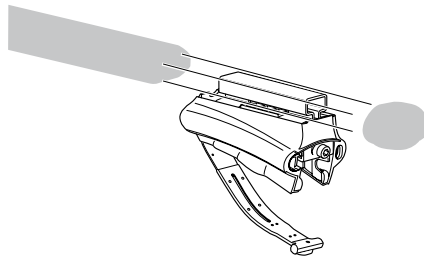
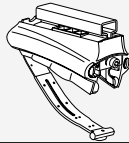


ISO 11154-E

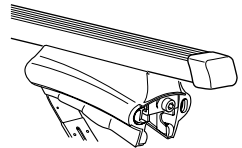
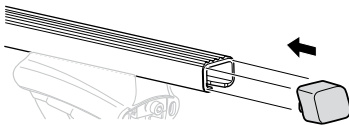
THULE[®]
SWEDEN



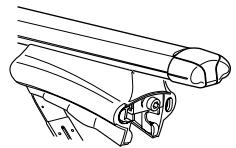
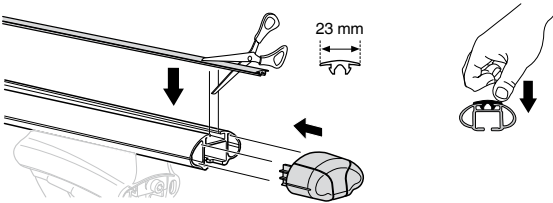
1



x4

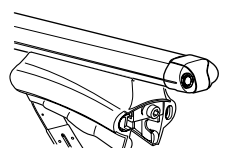
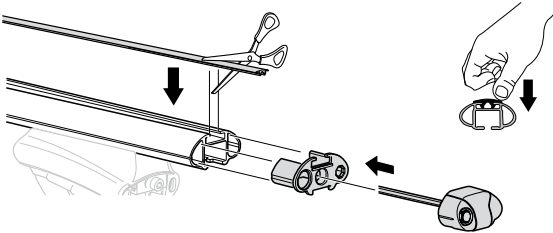


x4



x4

x4



x2

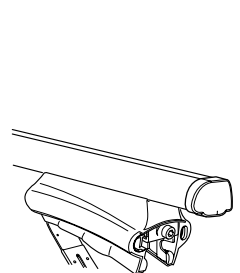
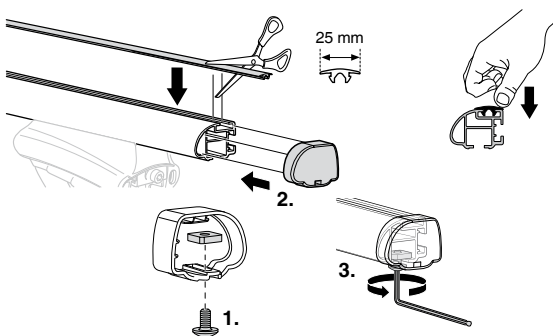
x2

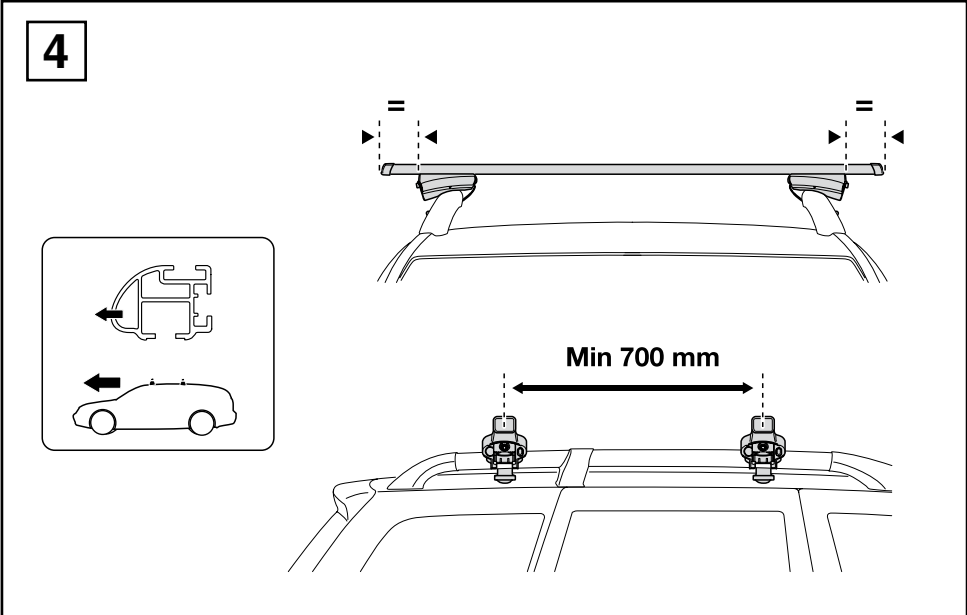
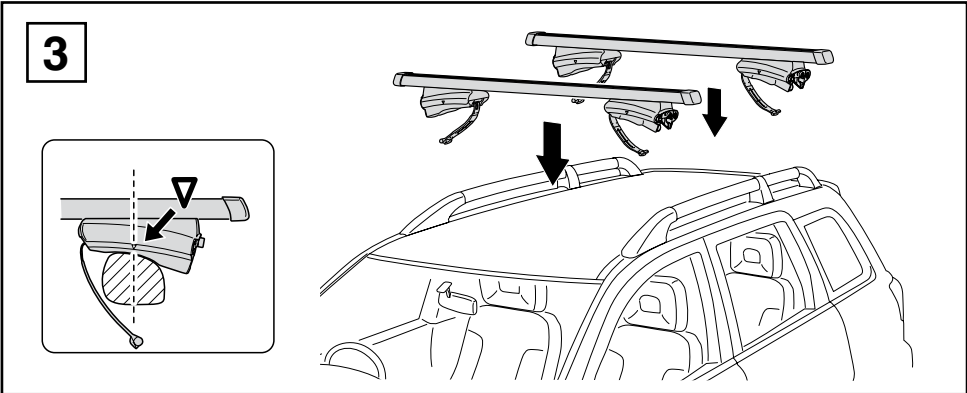
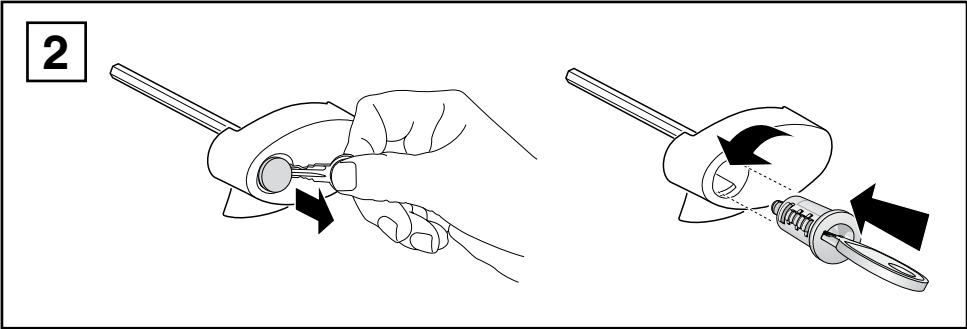
x4

x4

x1

5 mm





5

